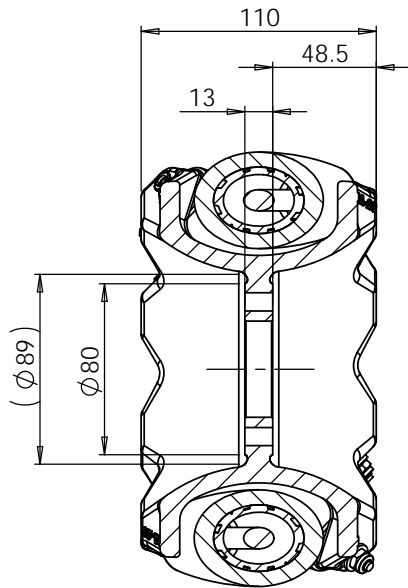
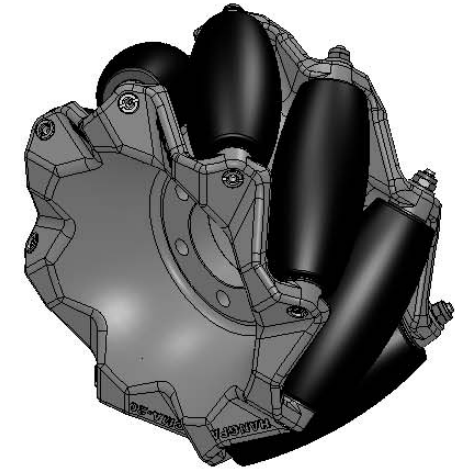
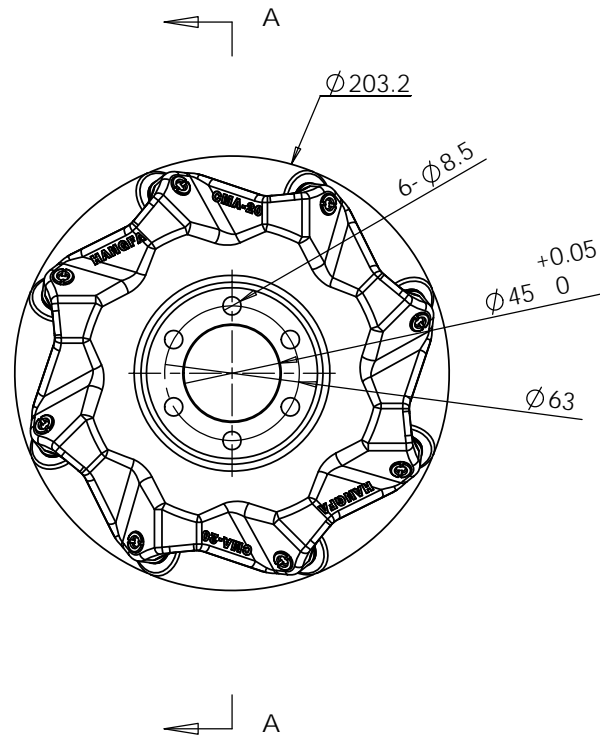


Unit: mm



A-A
1:2.5



CMA-20A Omniwheel

Diameter: 203.2
Width: 110
Maximum load: 240kg

Number of rollers: 8
Bearing: rolling bearings
Roller material: polyurethane
Hub material: Aluminium
Mount: 6-M8
Weight: 6Kg

Patent protected

* Two types exist: CMA-20A-L、CMA-20A-R

UNLESS OTHERWISE SPECIFIED: DIMENSIONS ARE IN MILLIMETERS				FINISH:		DEBUR AND BREAK SHARP EDGES		DO NOT SCALE DRAWING		REVISION	
SURFACE FINISH:								HANGFA CO.,LTD			
TOLERANCES:											
LINEAR:								TITLE: CMA-20A OMNI WHEEL			
ANGULAR:											
DRAWN	NAME	SIGNATURE	DATE					DWG NO. HFOXLCMA20A			
CHK'D											
APP'VD								SCALE:1:5			
MFG											
Q.A						MATERIAL:		SHEET 1 OF 1			
						WEIGHT:					

A3